

Essential Wardrobe Door Signature Wardrobe Door

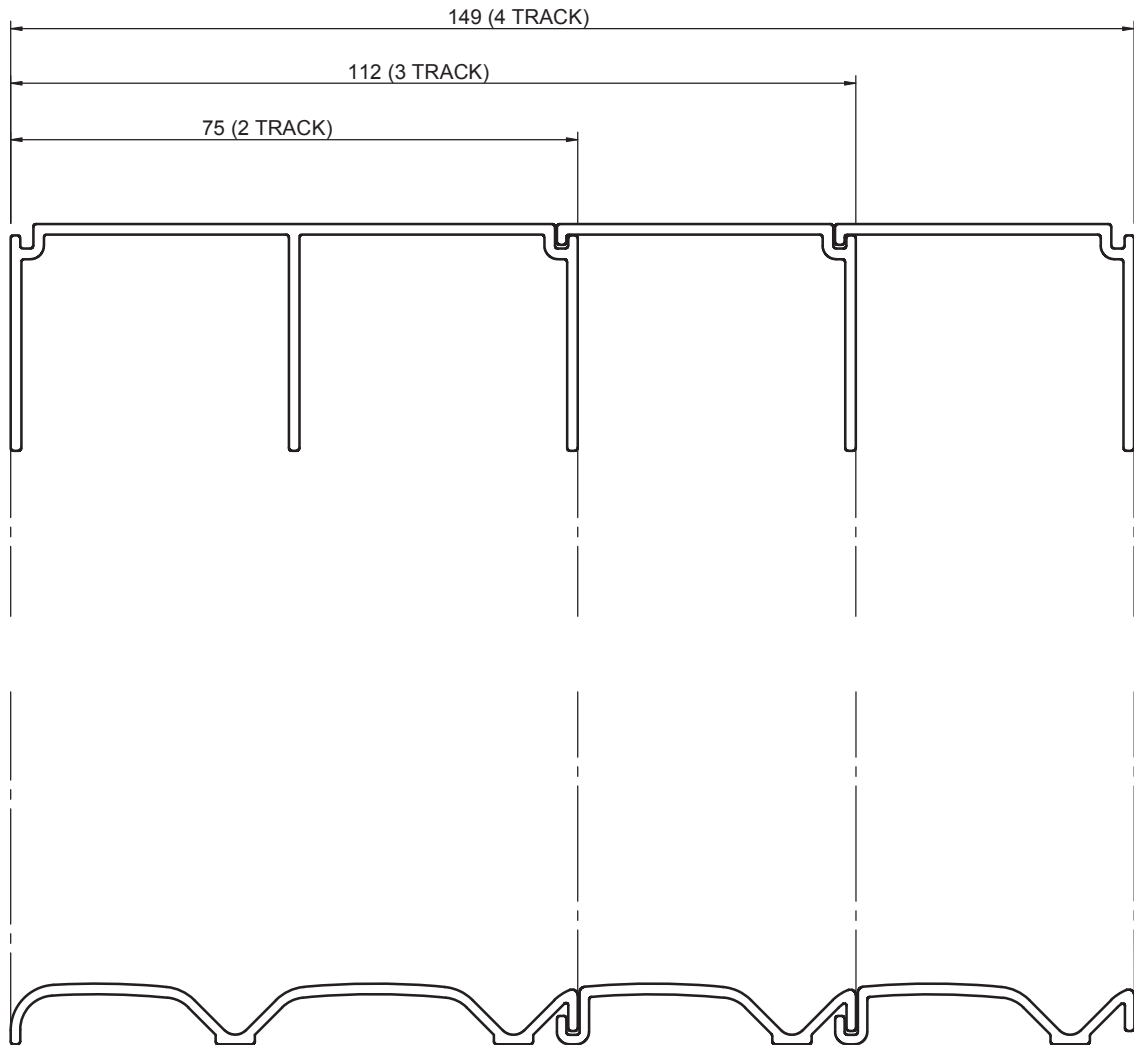
Installation Details



SUNCOAST
WINDOWS

Quality . Style . Innovation

FRAME INSTALLATION ESS & SIG



FITTING FRAME

1. FIT OPTIONAL JAMB EXTRUSIONS (IF REQUIRED) USING CONSTRUCTION ADHESIVE.
2. HEAD EXTRUSION SHOULD BE CENTRALISED IN OPENING AND SCREWED IN PLACE USING SS FASTENERS.
3. SILL TRACK TO BE INSTALLED PLUMB BELOW HEAD AND BEDDED IN CONSTRUCTION ADHESIVE.
4. FIT DOOR SASHES AND ADJUST ROLLERS TO CLEAR TRACK AND ALIGN STILE TO MEET APPROPRIATE JAMB
5. SCREW STOP TO JAMB IN HEAD CAVITY AT THE OPPOSITE SIDE TO THE CLOSING JAMB.

PRODUCT NO: ESS & SIG Wardrobe Door

DRAWING NO: SRD-02-01

DRAWN: JCF

DATE: 31/08/16

ISSUE: A

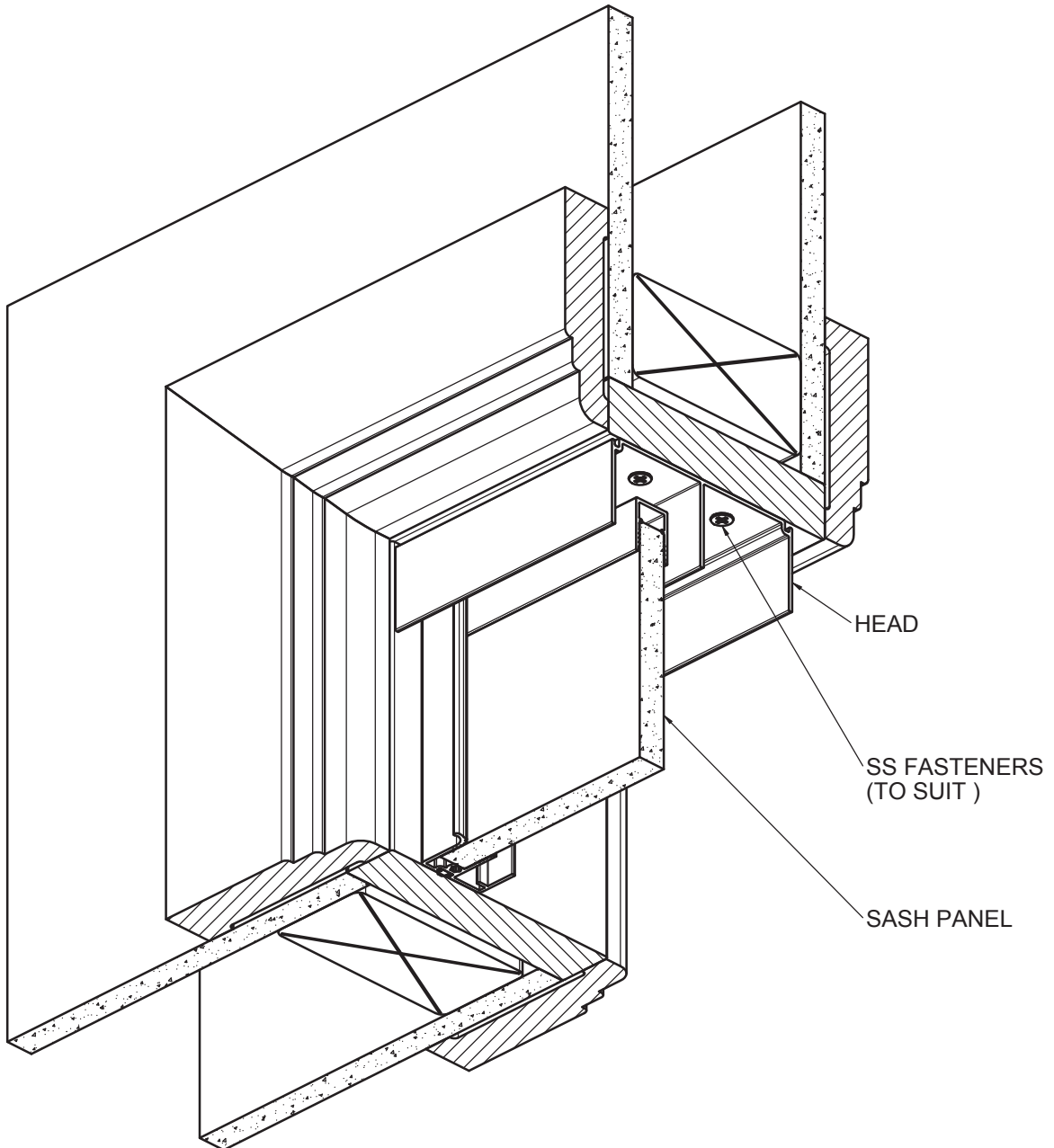
SCALE: 1 : 1



SUNCOAST
WINDOWS

Quality . Style . Innovation

TYPICAL HEAD DETAIL



FITTING FRAME

1. FIT OPTIONAL JAMB EXTRUSIONS (IF REQUIRED) USING CONSTRUCTION ADHESIVE.
2. HEAD EXTRUSION SHOULD BE CENTRALISED IN OPENING AND SCREWED IN PLACE USING SS FASTENERS.
3. SILL TRACK TO BE INSTALLED PLUMB BELOW HEAD AND BEDDED IN CONSTRUCTION ADHESIVE.
4. FIT DOOR SASHES AND ADJUST ROLLERS TO CLEAR TRACK AND ALIGN STILE TO MEET APPROPRIATE JAMB
5. SCREW STOP TO JAMB IN HEAD CAVITY AT THE OPPOSITE SIDE TO THE CLOSING JAMB.

PRODUCT NO: ESS & SIG Wardrobe Door

DRAWING NO: SRD-02-02

DRAWN: JCF

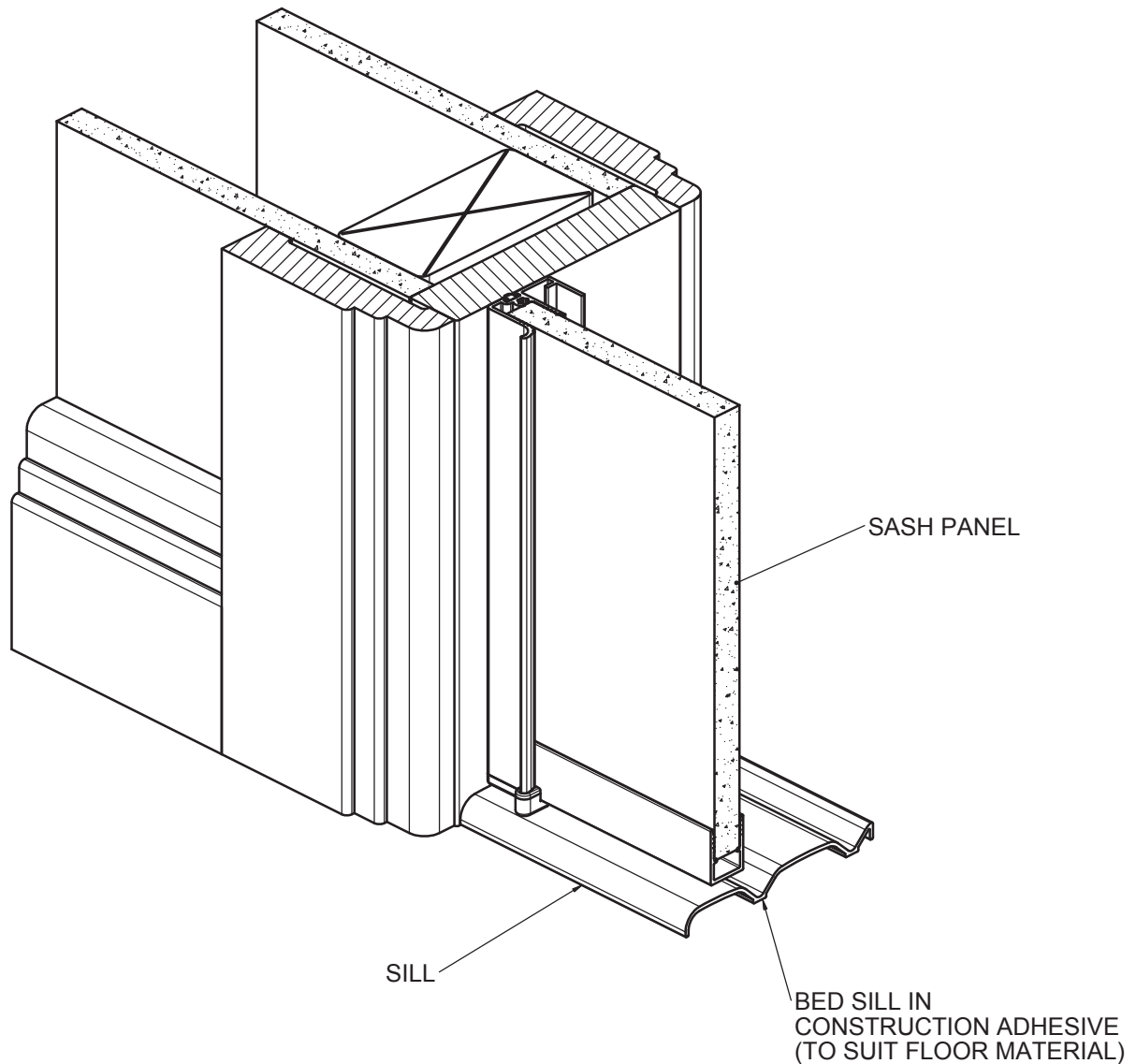
DATE: 01/09/16

ISSUE: A

SCALE: 1 : 2



TYPICAL SILL DETAIL



FITTING FRAME

1. FIT OPTIONAL JAMB EXTRUSIONS (IF REQUIRED) USING CONSTRUCTION ADHESIVE.
2. HEAD EXTRUSION SHOULD BE CENTRALISED IN OPENING AND SCREWED IN PLACE USING SS FASTENERS.
3. SILL TRACK TO BE INSTALLED PLUMB BELOW HEAD AND BEDDED IN CONSTRUCTION ADHESIVE.
4. FIT DOOR SASHES AND ADJUST ROLLERS TO CLEAR TRACK AND ALIGN STILE TO MEET APPROPRIATE JAMB
5. SCREW STOP TO JAMB IN HEAD CAVITY AT THE OPPOSITE SIDE TO THE CLOSING JAMB.

PRODUCT NO: ESS & SIG Wardrobe Door

DRAWING NO: SRD-02-03

DRAWN: JCF

DATE: 01/09/16

ISSUE: A

SCALE: 1 : 2



SUNCOAST
WINDOWS

Quality . Style . Innovation