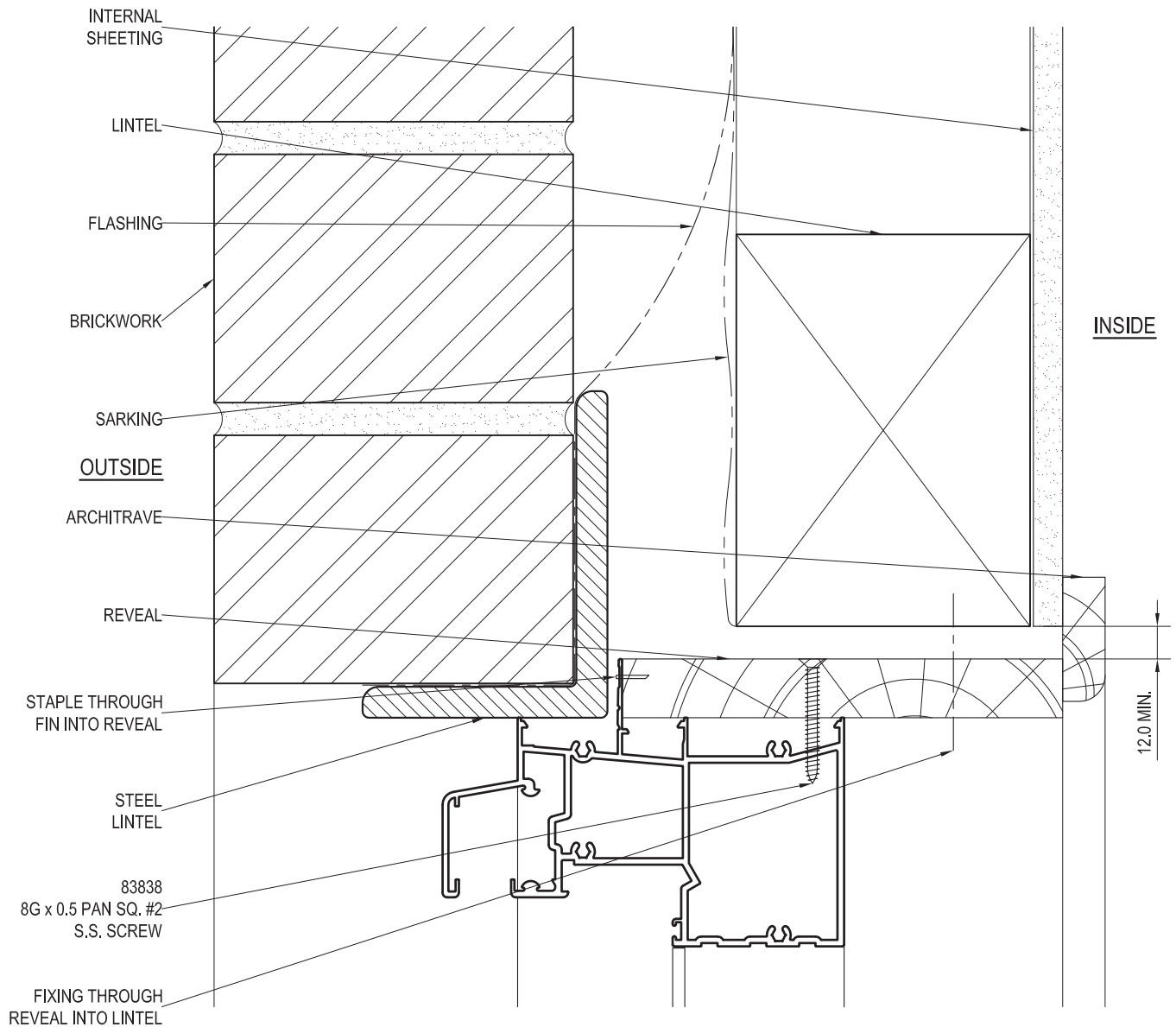


Signature Bi-fold Door (100mm)

Installation Details

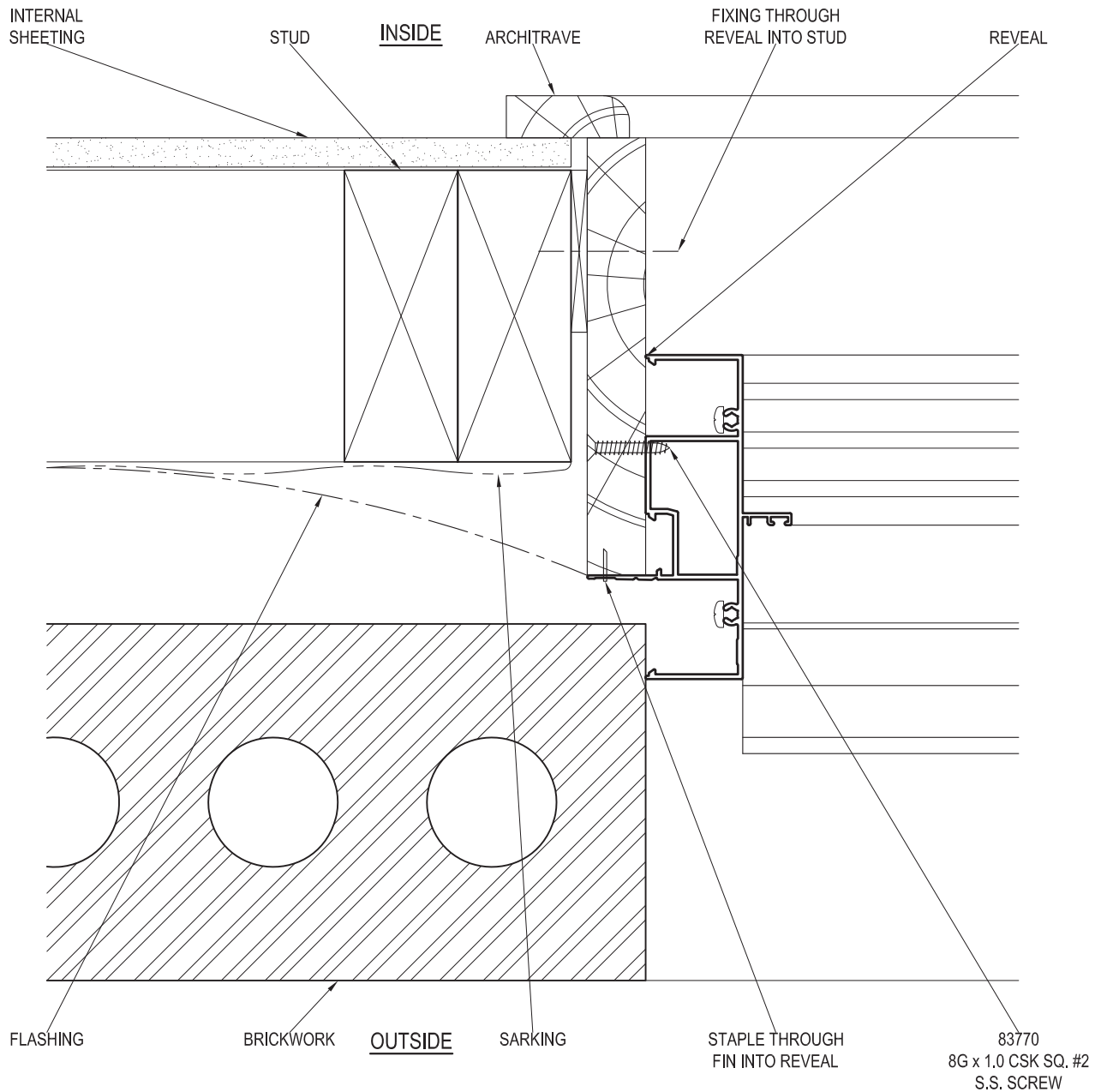
BRICK VENEER - HEAD DETAIL



FIXINGS: UP TO AND INCLUDING SITE CLASSIFICATION OF N6, C4 (3.0 kPa) FIXINGS ARE TO BE AT 450mm CENTRE MAXIMUM. FOR SITUATIONS IN EXCESS OF THIS THE FIXINGS ARE TO BE AT 300mm CENTRES MAXIMUM. FIXING SIZE TO BE EQUIVALENT TO A Ø2.2mm STEEL NAIL MINIMUM.

PRODUCT NO: SIG Bi-fold Door (100mm)	DATE: 29/07/14	
DRAWING NO: SIG-BD-02-01	ISSUE: A	
DRAWN: DJH	SCALE: 1 : 2	
Suncoast Windows & Doors Pty Ltd ABN 78010409819 © 2014 All rights reserved		

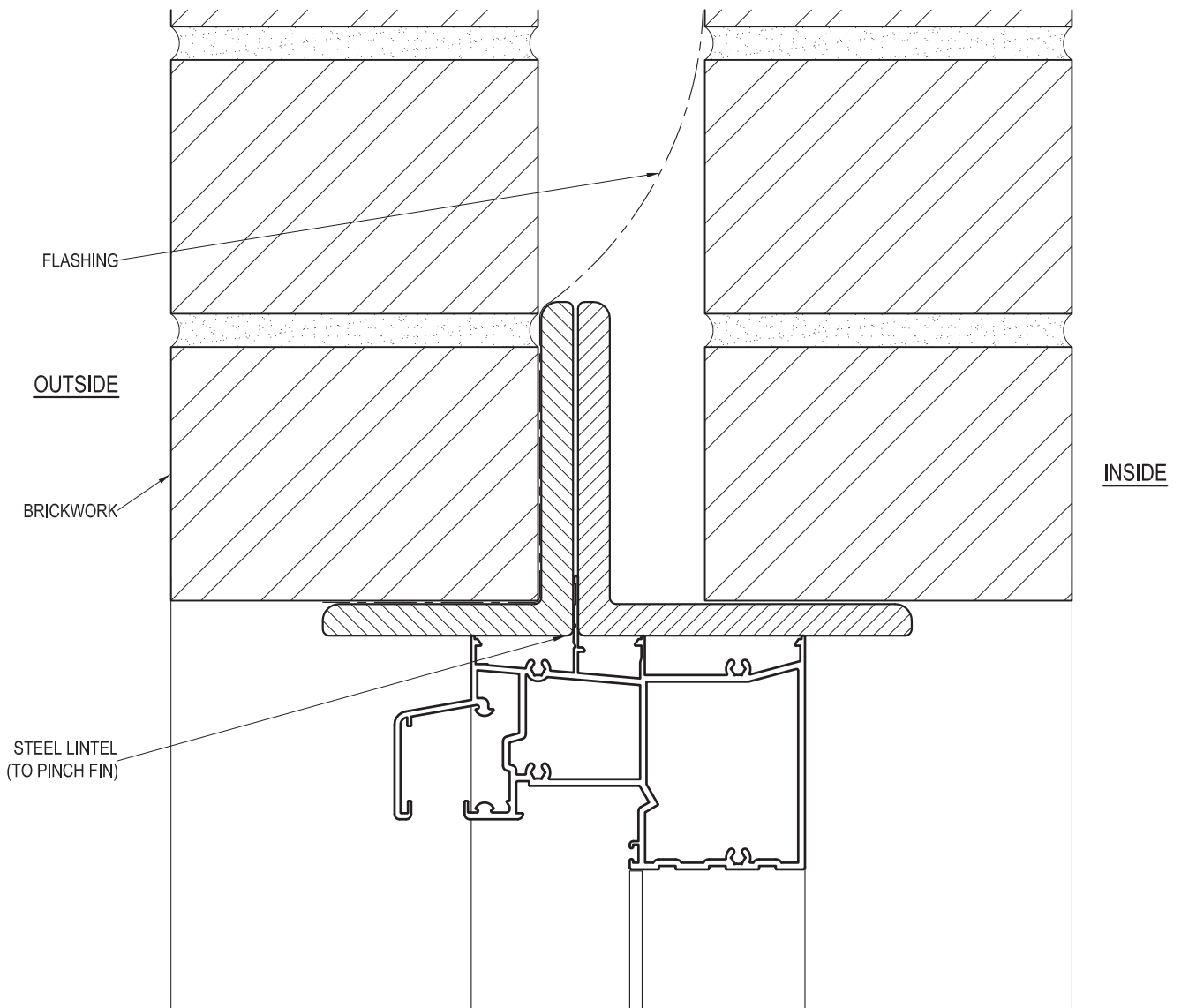
BRICK VENEER - JAMB DETAIL



FIXINGS: UP TO AND INCLUDING SITE CLASSIFICATION OF N6, C4 (3.0 kPa) FIXINGS ARE TO BE AT 450mm CENTRE MAXIMUM. FOR SITUATIONS IN EXCESS OF THIS THE FIXINGS ARE TO BE AT 300mm CENTRES MAXIMUM. FIXING SIZE TO BE EQUIVALENT TO A Ø2.2mm STEEL NAIL MINIMUM.

PRODUCT NO: SIG Bi-fold Door (100mm)	DATE: 29/07/14	
DRAWING NO: SIG-BD-02-02	ISSUE: A	
DRAWN: DJH	SCALE: 1 : 2	
Suncoast Windows & Doors Pty Ltd ABN 78010409819 © 2014 All rights reserved		

CAVITY BRICK - HEAD DETAIL



FIXINGS: UP TO AND INCLUDING SITE CLASSIFICATION OF N6, C4 (3.0 kPa) FIXINGS ARE TO BE AT 450mm CENTRE MAXIMUM. FOR SITUATIONS IN EXCESS OF THIS THE FIXINGS ARE TO BE AT 300mm CENTRES MAXIMUM. FIXING SIZE TO BE EQUIVALENT TO A Ø2.2mm STEEL NAIL MINIMUM.

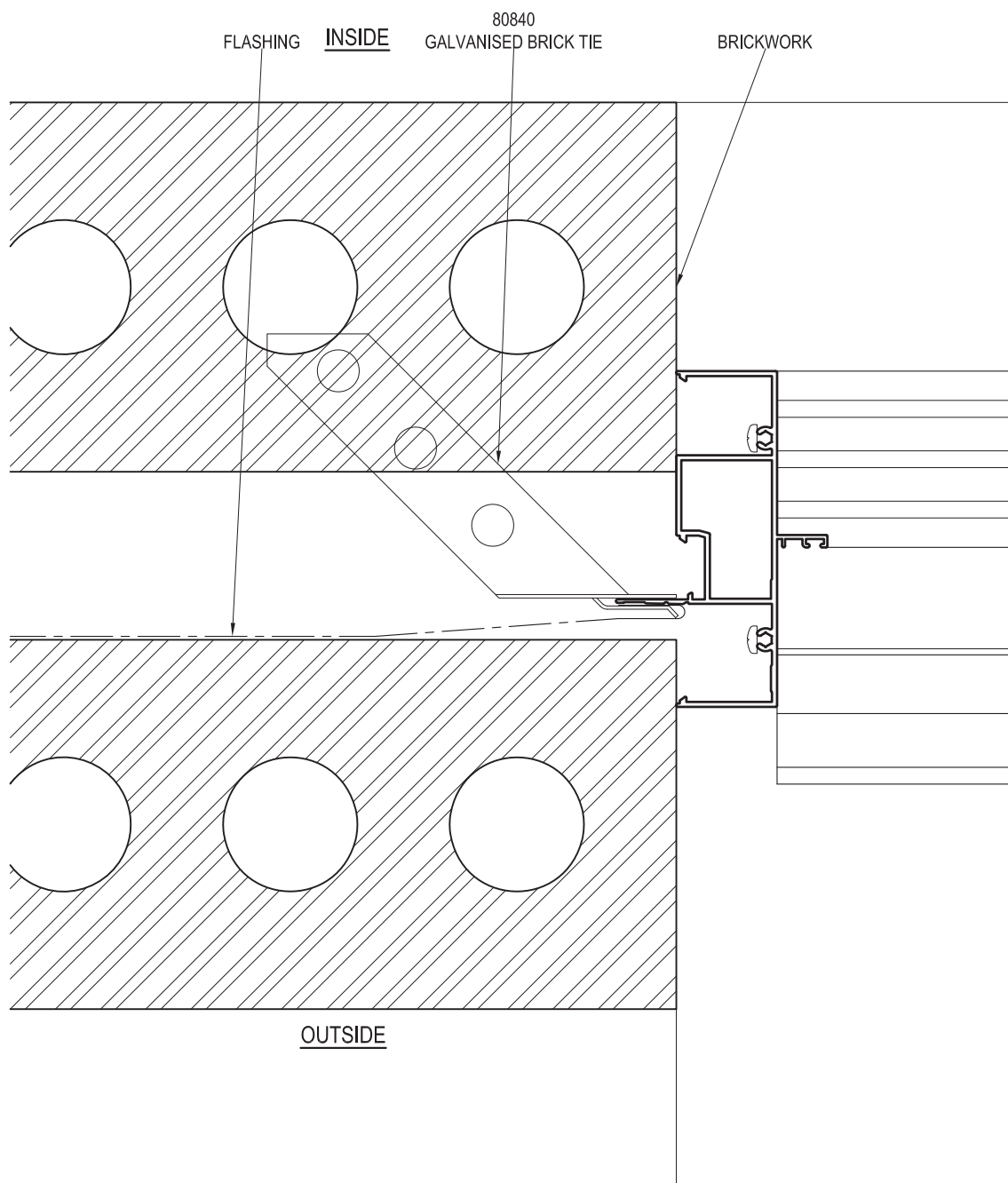
PRODUCT NO: SIG Bi-fold Door (100mm) DATE: 29/07/14

DRAWING NO: SIG-BD-02-03 ISSUE: A

DRAWN: DJH SCALE: 1 : 2

Suncoast Windows & Doors Pty Ltd ABN 78010409819 © 2014 All rights reserved

CAVITY BRICK - JAMB DETAIL



FIXINGS: UP TO AND INCLUDING SITE CLASSIFICATION OF N6, C4 (3.0 kPa) FIXINGS ARE TO BE AT 450mm CENTRE MAXIMUM. FOR SITUATIONS IN EXCESS OF THIS THE FIXINGS ARE TO BE AT 300mm CENTRES MAXIMUM. FIXING SIZE TO BE EQUIVALENT TO A Ø2.2mm STEEL NAIL MINIMUM.

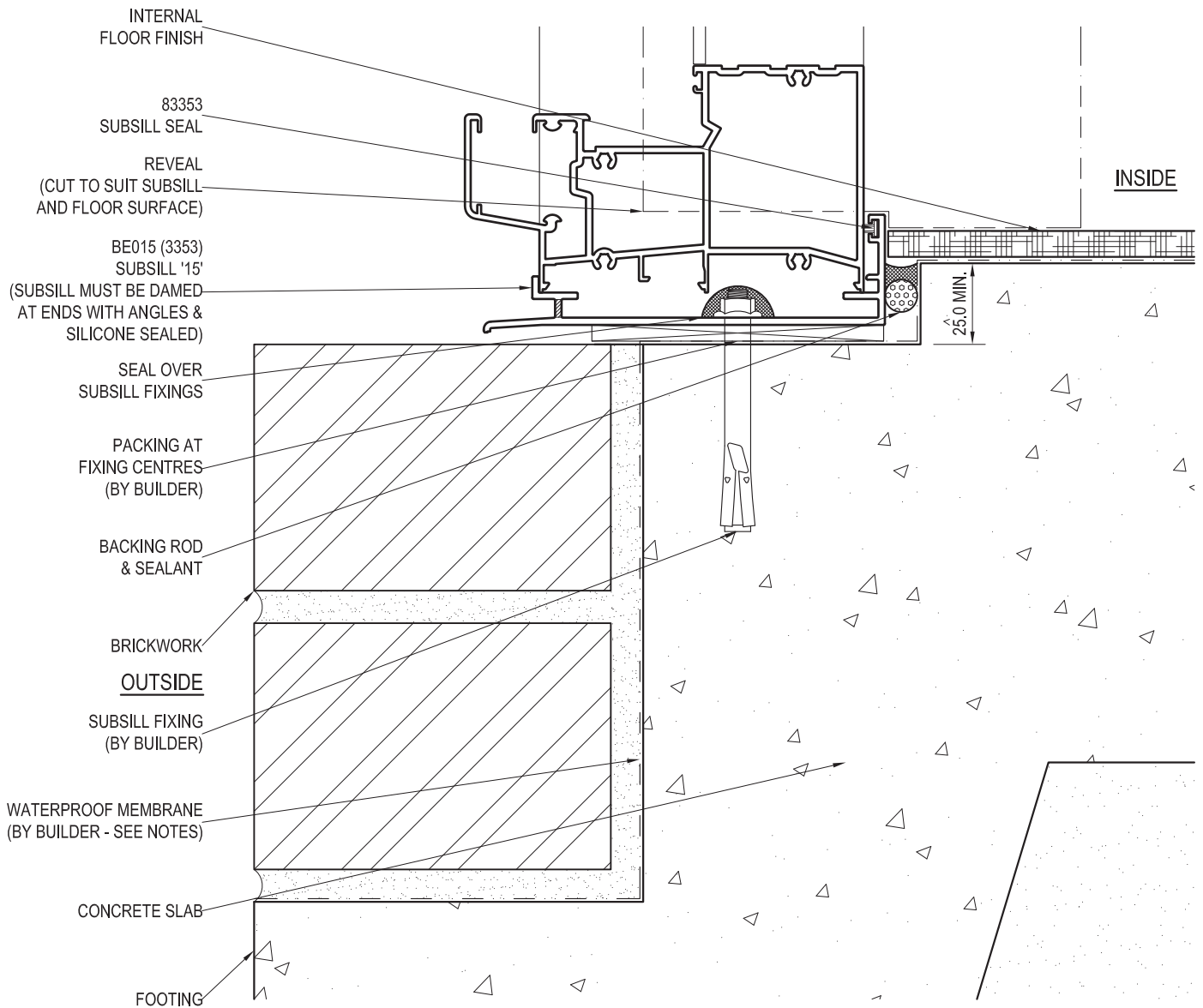
PRODUCT NO: SIG Bi-fold Door (100mm) DATE: 29/07/14

DRAWING NO: SIG-BD-02-04 ISSUE: A

DRAWN: DJH SCALE: 1 : 2

Suncoast Windows & Doors Pty Ltd ABN 78010409819 © 2014 All rights reserved

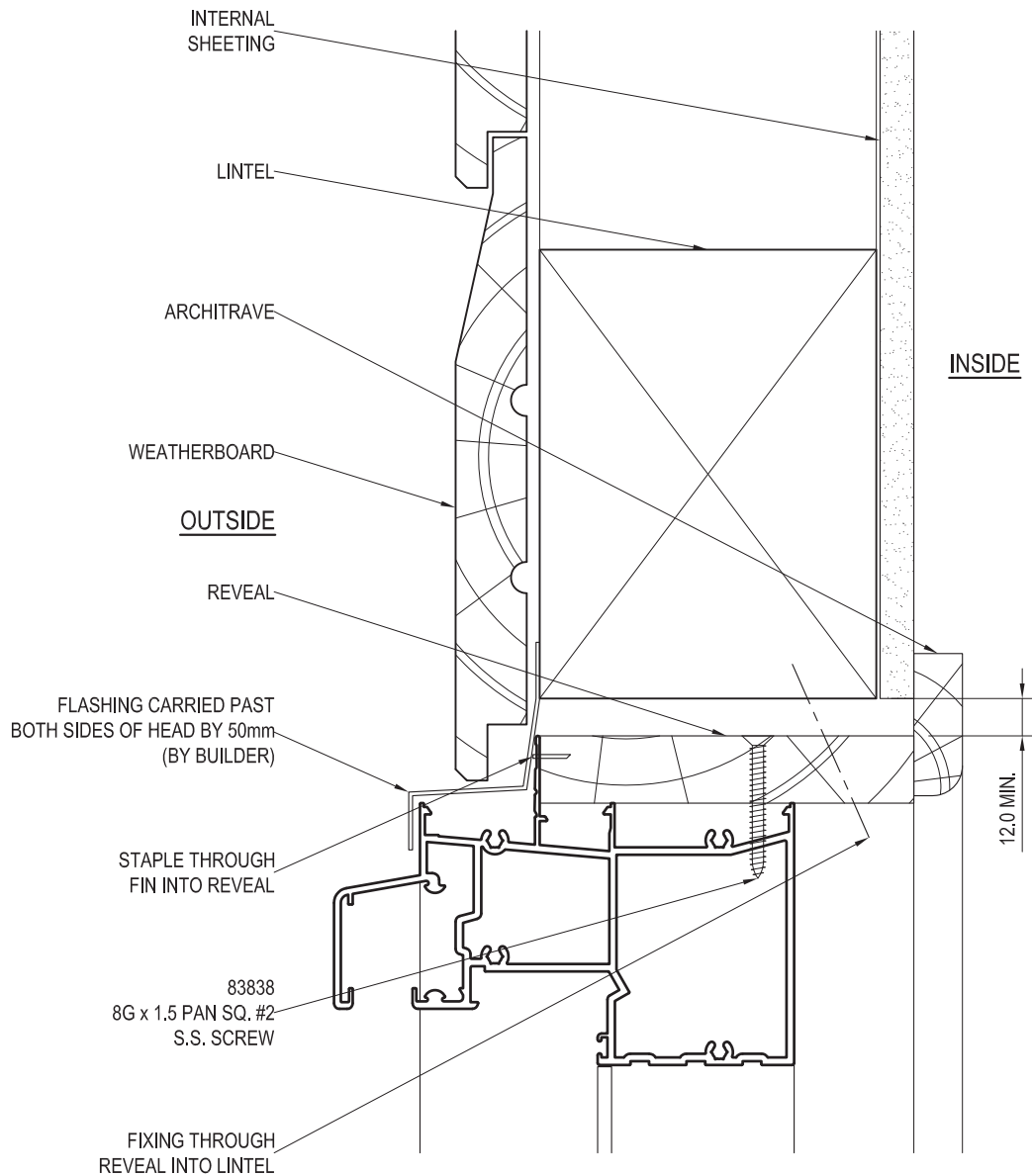
BRICK VENEER & CAVITY BRICK - SLAB ON GROUND



FIXINGS: UP TO AND INCLUDING SITE CLASSIFICATION OF N6, C4 (3.0 kPa) FIXINGS ARE TO BE AT 450mm CENTRE MAXIMUM. FOR SITUATIONS IN EXCESS OF THIS THE FIXINGS ARE TO BE AT 300mm CENTRES MAXIMUM. FIXING SIZE TO BE EQUIVALENT TO A Ø2.2mm STEEL NAIL MINIMUM.

PRODUCT NO: SIG Bi-fold Door (100mm)	DATE: 29/07/14
DRAWING NO: SIG-BD-02-05	ISSUE: A
DRAWN: DJH	SCALE: 1 : 2
Suncoast Windows & Doors Pty Ltd ABN 78010409819 © 2014 All rights reserved	

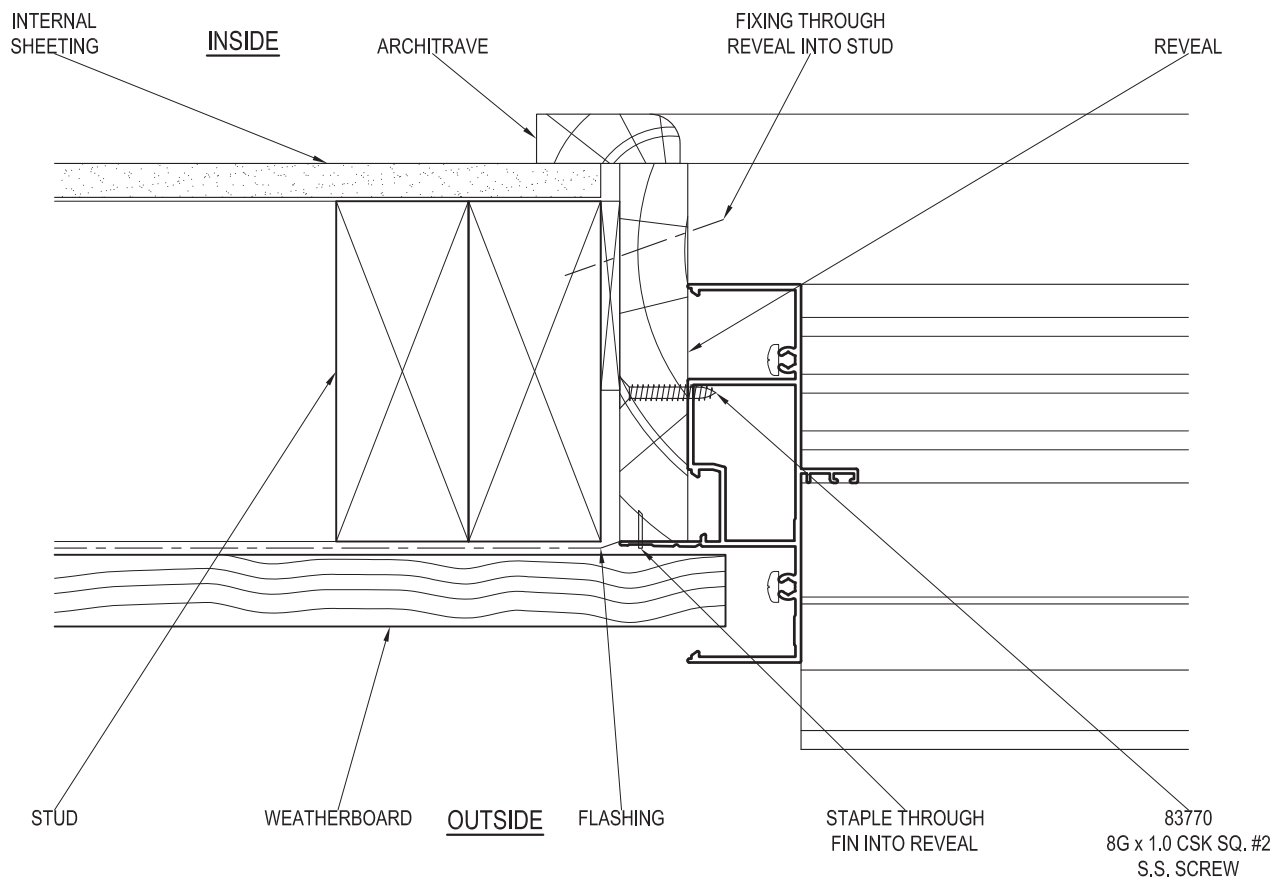
WEATHERBOARD - HEAD DETAIL



FIXINGS: UP TO AND INCLUDING SITE CLASSIFICATION OF N6, C4 (3.0 kPa) FIXINGS ARE TO BE AT 450mm CENTRE MAXIMUM. FOR SITUATIONS IN EXCESS OF THIS THE FIXINGS ARE TO BE AT 300mm CENTRES MAXIMUM. FIXING SIZE TO BE EQUIVALENT TO A Ø2.2mm STEEL NAIL MINIMUM.

PRODUCT NO: SIG BI-fold Door (100mm)	DATE: 29/07/14
DRAWING NO: SIG-BD-02-06	ISSUE: A
DRAWN: DJH	SCALE: 1 : 2
Suncoast Windows & Doors Pty Ltd ABN 78010409819 © 2014 All rights reserved	

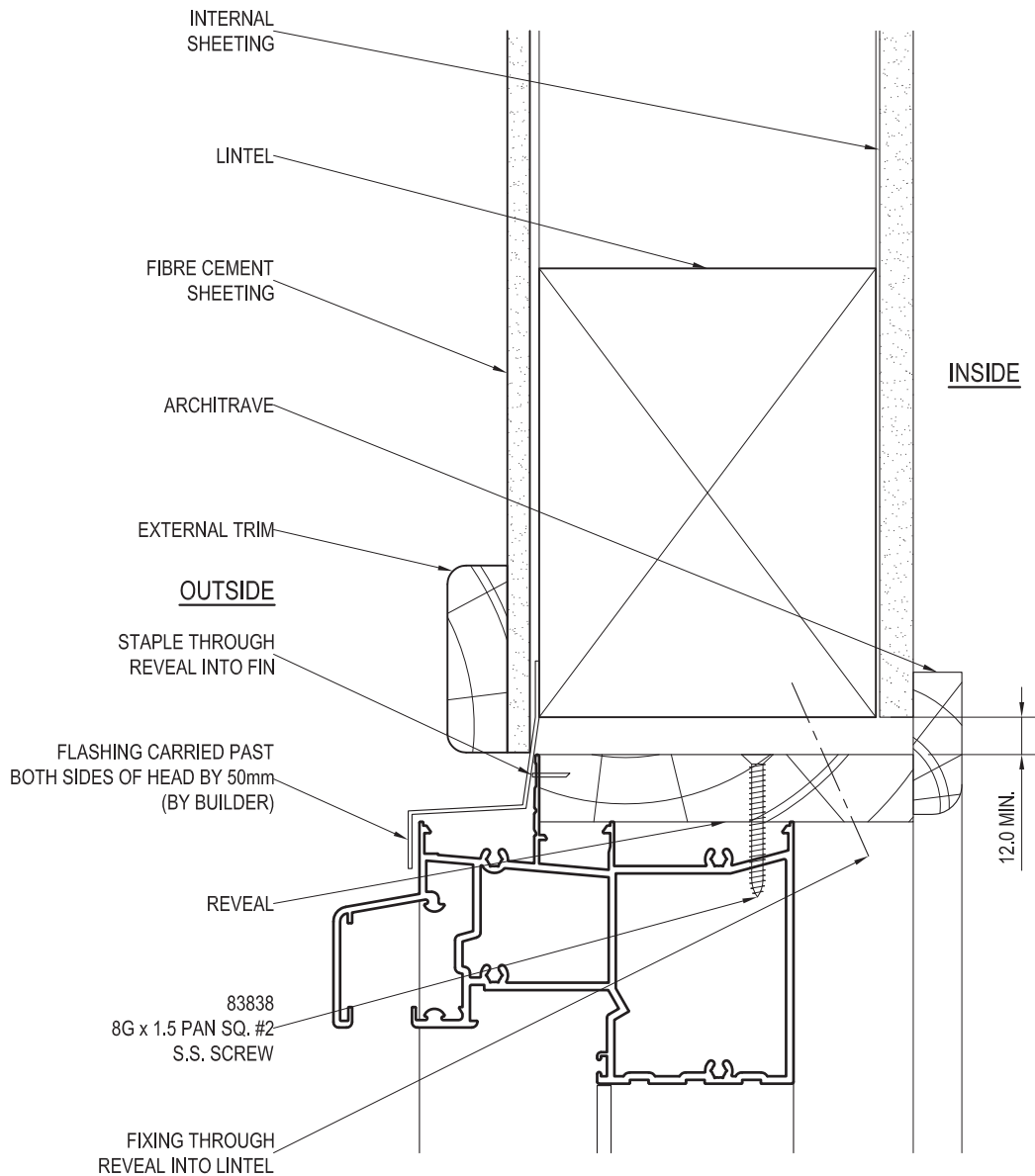
WEATHERBOARD - JAMB DETAIL



FIXINGS: UP TO AND INCLUDING SITE CLASSIFICATION OF N6, C4 (3.0 kPa) FIXINGS ARE TO BE AT 450mm CENTRE MAXIMUM. FOR SITUATIONS IN EXCESS OF THIS THE FIXINGS ARE TO BE AT 300mm CENTRES MAXIMUM. FIXING SIZE TO BE EQUIVALENT TO A Ø2.2mm STEEL NAIL MINIMUM.

PRODUCT NO: SIG Bi-fold Door (100mm)	DATE: 29/07/14	
DRAWING NO: SIG-BD-02-07	ISSUE: A	
DRAWN: DJH	SCALE: 1 : 2	
Suncoast Windows & Doors Pty Ltd ABN 78010409819 © 2014 All rights reserved		

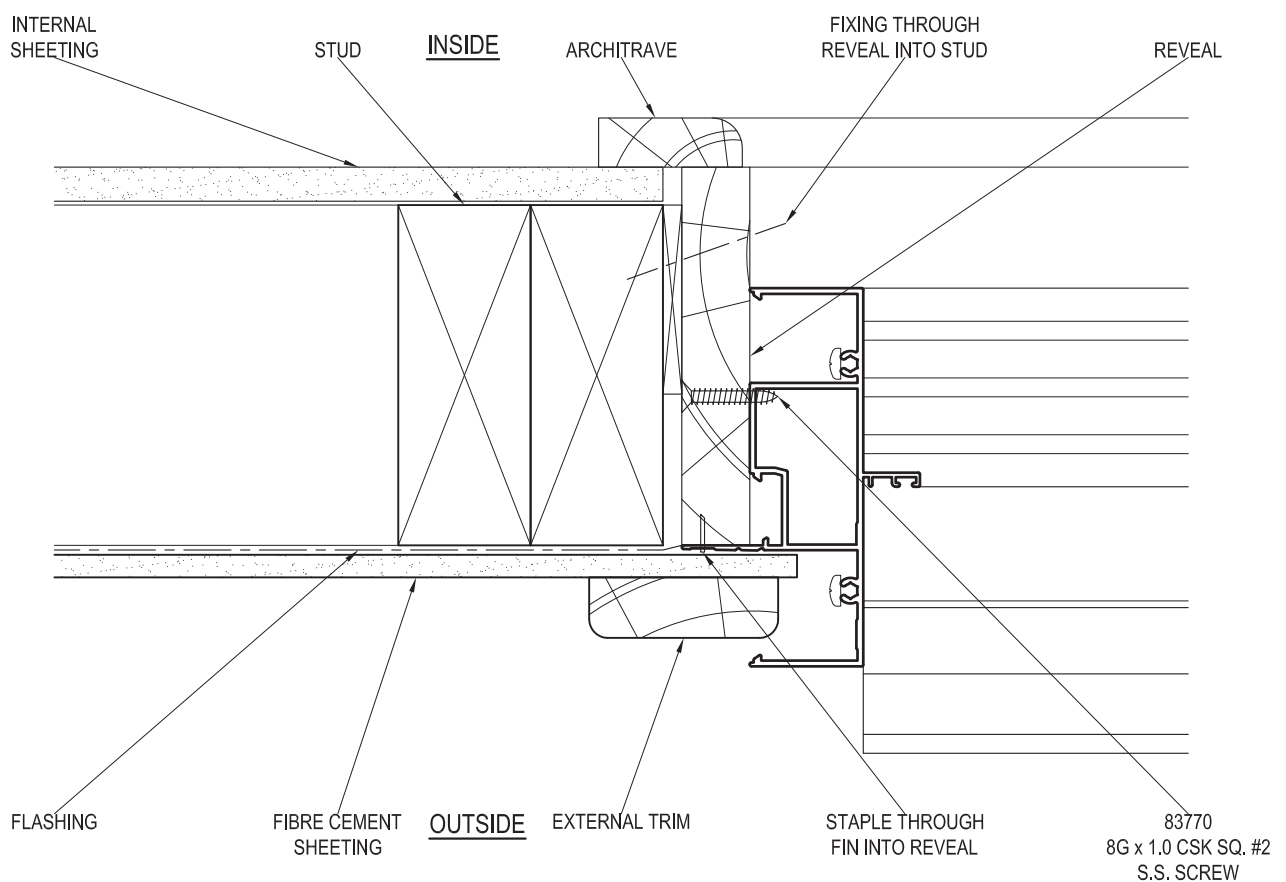
FIBRE CEMENT SHEET - HEAD DETAIL



FIXINGS: UP TO AND INCLUDING SITE CLASSIFICATION OF N6, C4 (3.0 kPa) FIXINGS ARE TO BE AT 450mm CENTRE MAXIMUM. FOR SITUATIONS IN EXCESS OF THIS THE FIXINGS ARE TO BE AT 300mm CENTRES MAXIMUM. FIXING SIZE TO BE EQUIVALENT TO A Ø2.2mm STEEL NAIL MINIMUM.

PRODUCT NO: SIG Bi-fold Door (100mm)	DATE: 29/07/14	
DRAWING NO: SIG-BD-02-08	ISSUE: A	
DRAWN: DJH	SCALE: 1 : 2	
Suncoast Windows & Doors Pty Ltd ABN 78010409819 © 2014 All rights reserved		

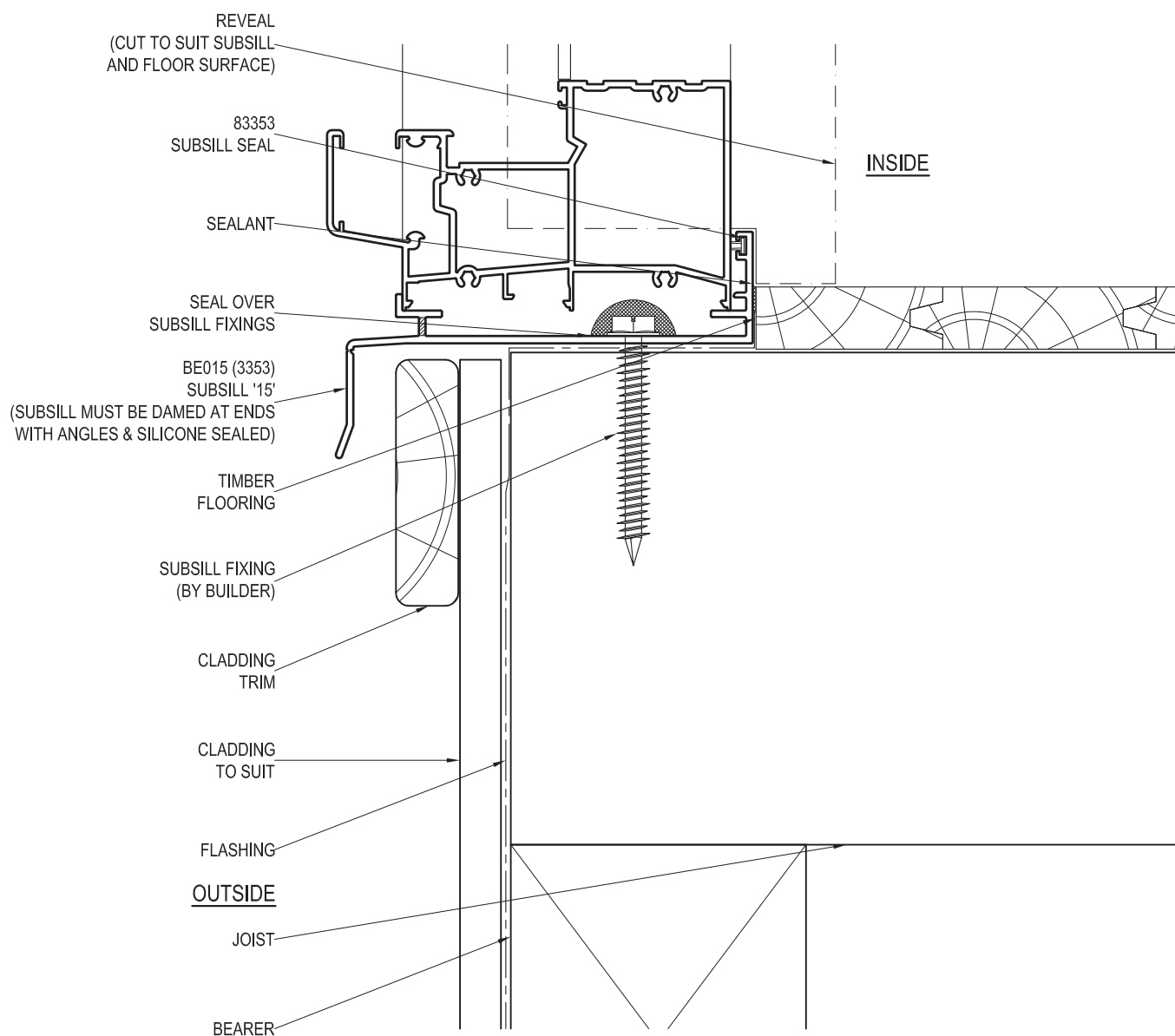
FIBRE CEMENT SHEET - JAMB DETAIL



FIXINGS: UP TO AND INCLUDING SITE CLASSIFICATION OF N6, C4 (3.0 kPa) FIXINGS ARE TO BE AT 450mm CENTRE MAXIMUM. FOR SITUATIONS IN EXCESS OF THIS THE FIXINGS ARE TO BE AT 300mm CENTRES MAXIMUM. FIXING SIZE TO BE EQUIVALENT TO A Ø2.2mm STEEL NAIL MINIMUM.

PRODUCT NO: SIG Bi-fold Door (100mm)	DATE: 29/07/14	
DRAWING NO: SIG-BD-02-09	ISSUE: A	
DRAWN: DJH	SCALE: 1 : 2	
Suncoast Windows & Doors Pty Ltd ABN 78010409819 © 2014 All rights reserved		

WEATHERBOARD & FIBRE CEMENT SHEET - TIMBER CONSTRUCTION FLOOR



FIXINGS: UP TO AND INCLUDING SITE CLASSIFICATION OF N6, C4 (3.0 kPa) FIXINGS ARE TO BE AT 450mm CENTRE MAXIMUM. FOR SITUATIONS IN EXCESS OF THIS THE FIXINGS ARE TO BE AT 300mm CENTRES MAXIMUM. FIXING SIZE TO BE EQUIVALENT TO A Ø2.2mm STEEL NAIL MINIMUM.

PRODUCT NO: SIG Bi-fold Door (100mm)

DATE: 29/07/14

DRAWING NO: SIG-BD-02-10

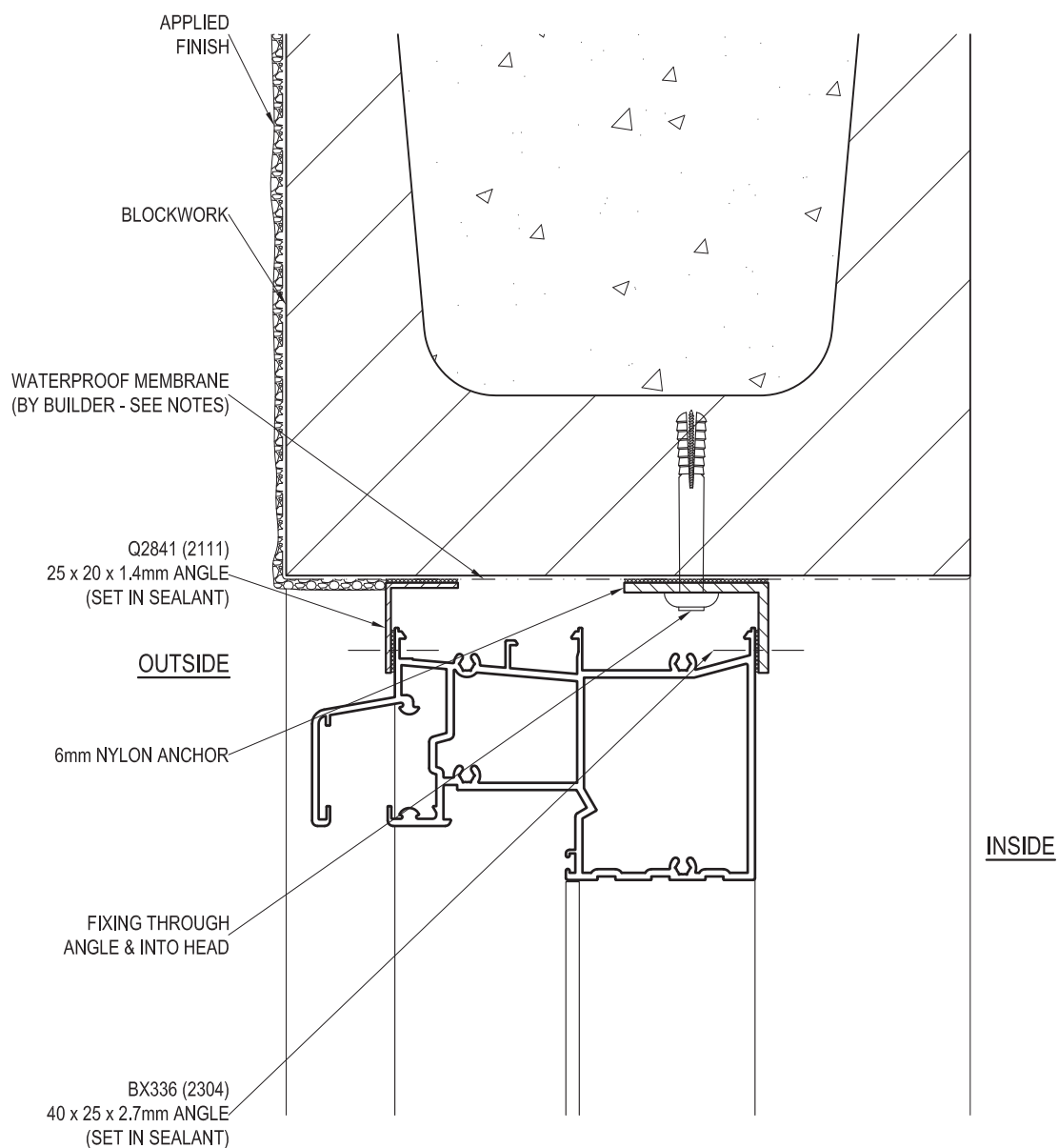
ISSUE: A

DRAWN: DJH

SCALE: 1 : 2

Suncoast Windows & Doors Pty Ltd ABN 78010409819 © 2014 All rights reserved

BLOCKWORK - HEAD DETAIL



NOTE: SURFACE OF BLOCKS TO DOOR / WINDOW OPENING MUST BE TANKED WITH A SUITABLE SEALER TO PREVENT INGRESS OF MOISTURE. ENSURE MEMBRANE IS COMPATIBLE WITH A 1 PART POLYURETHANE SEALANT E.G. SIKAFLEX PRO 2HP.

FIXINGS: UP TO AND INCLUDING SITE CLASSIFICATION OF N6, C4 (3.0 kPa) FIXINGS ARE TO BE AT 450mm CENTRE MAXIMUM. FOR SITUATIONS IN EXCESS OF THIS THE FIXINGS ARE TO BE AT 300mm CENTRES MAXIMUM. FIXING SIZE TO BE EQUIVALENT TO A Ø2.2mm STEEL NAIL MINIMUM.

PRODUCT NO: SIG Bi-fold Door (100mm)

DATE: 29/07/14

DRAWING NO: SIG-BD-02-11

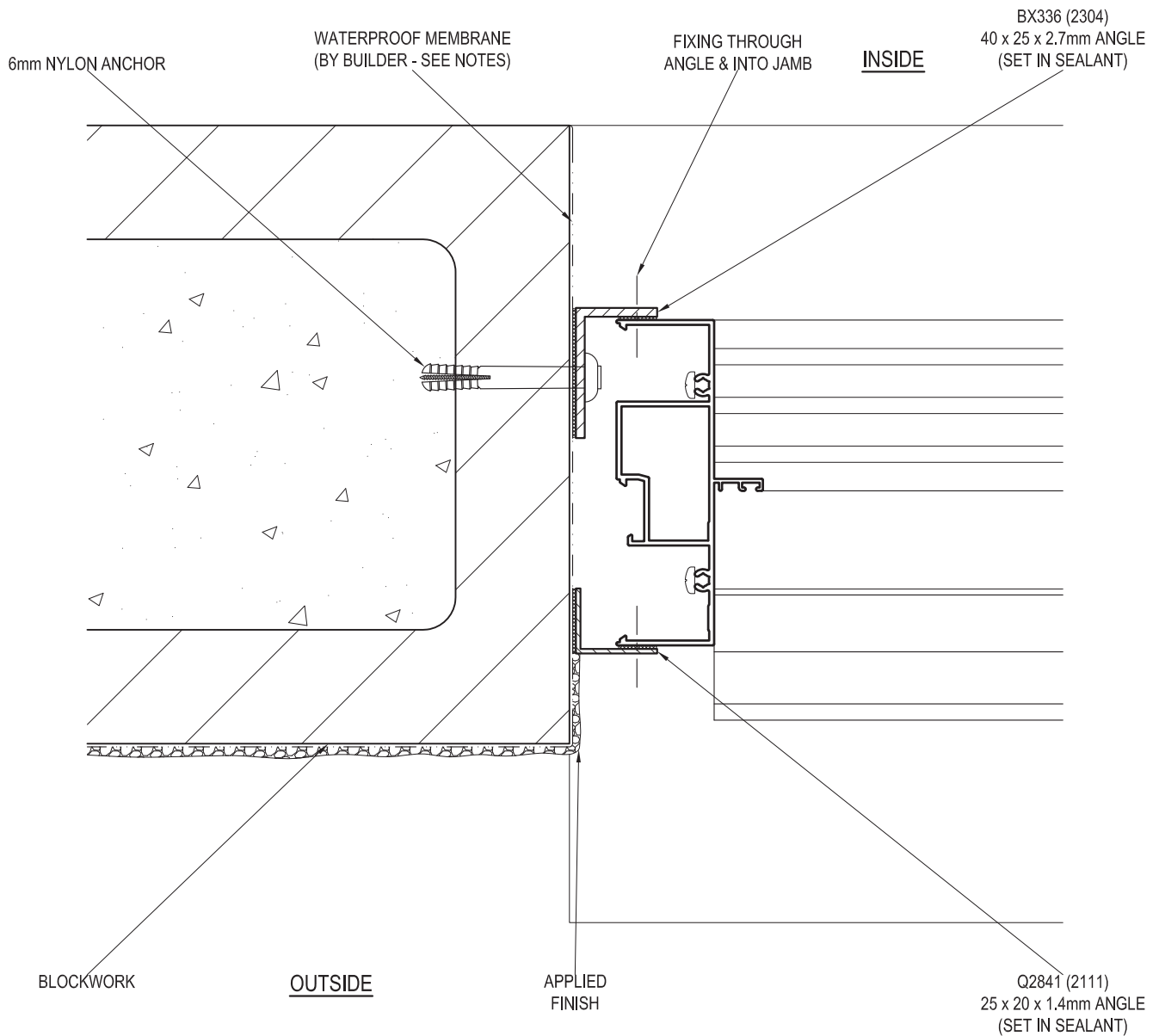
ISSUE: A

DRAWN: DJH

SCALE: 1 : 2

Suncoast Windows & Doors Pty Ltd ABN 78010409819 © 2014 All rights reserved

BLOCKWORK - JAMB DETAIL



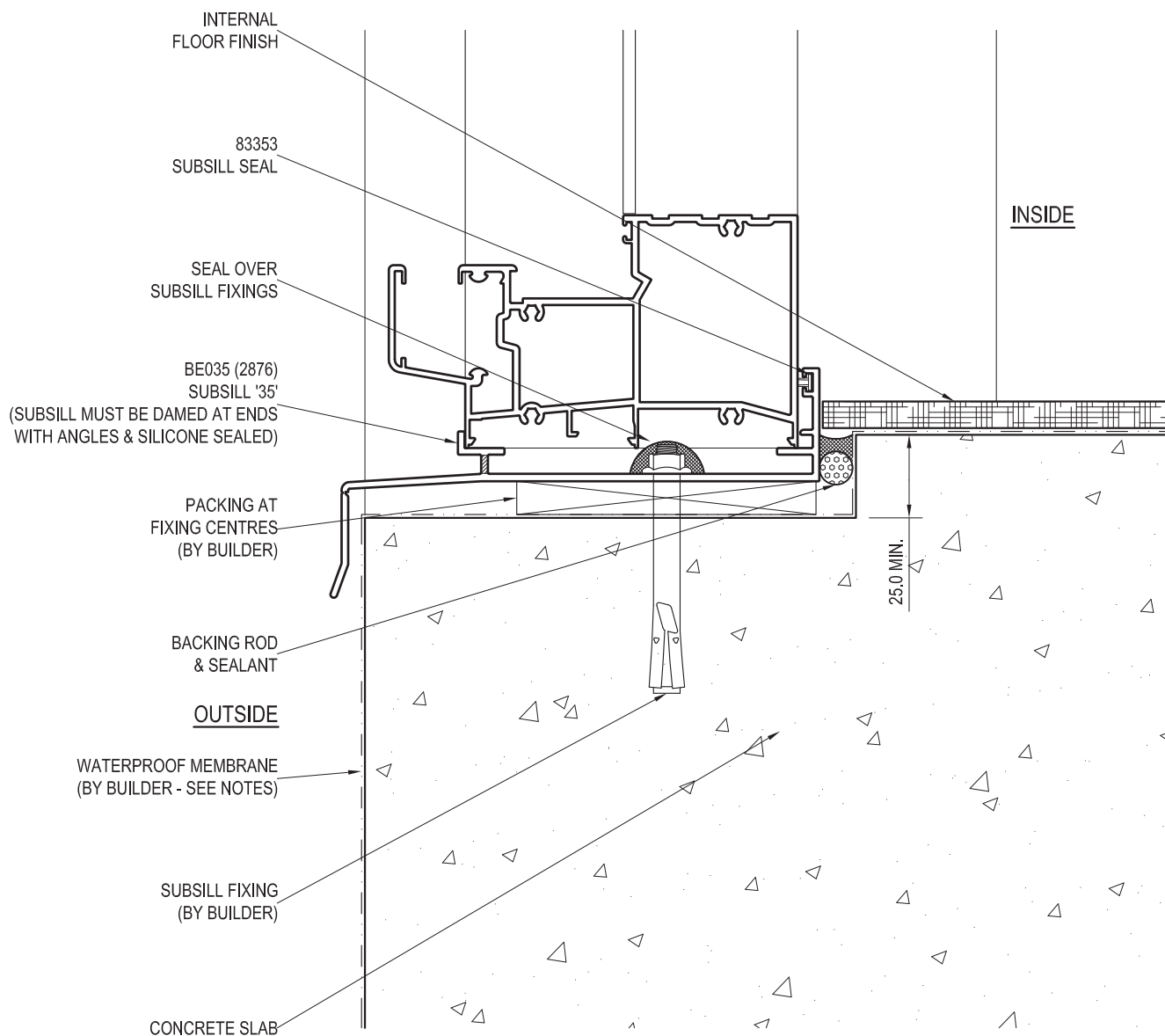
NOTE: SURFACE OF BLOCKS TO DOOR / WINDOW OPENING MUST BE TANKED WITH A SUITABLE SEALER TO PREVENT INGRESS OF MOISTURE. ENSURE MEMBRANE IS COMPATIBLE WITH A 1 PART POLYURETHANE SEALANT E.G. SIKAFLEX PRO 2HP.

FIXINGS: UP TO AND INCLUDING SITE CLASSIFICATION OF N6, C4 (3.0 kPa) FIXINGS ARE TO BE AT 450mm CENTRE MAXIMUM. FOR SITUATIONS IN EXCESS OF THIS THE FIXINGS ARE TO BE AT 300mm CENTRES MAXIMUM. FIXING SIZE TO BE EQUIVALENT TO A Ø2.2mm STEEL NAIL MINIMUM.

PRODUCT NO:	SIG Bi-fold Door (100mm)	DATE:	29/07/14
DRAWING NO:	SIG-BD-02-12	ISSUE:	A
DRAWN:	DJH	SCALE:	1 : 2

Suncoast Windows & Doors Pty Ltd ABN 78010409819 © 2014 All rights reserved

BLOCKWORK - FLAT SLAB AT SILL



NOTE: ENSURE THAT ANY APPLIED FINISH DOES NOT RESTRICT DRAINAGE FROM UNDER THE SILL. SEAL COAT MUST OVERLAP END OF APPLIED FINISH TO SILL TANKING.

SURFACE OF BLOCKS TO DOOR / WINDOW OPENING MUST BE TANKED WITH A SUITABLE SEALER TO PREVENT INGRESS OF MOISTURE. ENSURE THAT THE SURFACES TO BE SEALED ARE SOUND, CLEAN, DRY AND FREE FROM ANY SURFACE CONTAMINANTS.

FIXING HOLES TO SILLS MUST BE FILLED WITH SEALANT PRIOR TO INSERTING FASTENERS TO RESTORE WATERPROOFING MEMBRANE. HEAD OF FASTENERS TO SILLS SHOULD BE SEALED OVER. SURFACE OF BLOCKS TO DOOR / WINDOW OPENING MUST BE TANKED WITH A SUITABLE SEALER TO PREVENT INGRESS OF MOISTURE.

FIXINGS: UP TO AND INCLUDING SITE CLASSIFICATION OF N6, C4 (3.0 kPa) FIXINGS ARE TO BE AT 450mm CENTRE MAXIMUM. FOR SITUATIONS IN EXCESS OF THIS THE FIXINGS ARE TO BE AT 300mm CENTRES MAXIMUM. FIXING SIZE TO BE EQUIVALENT TO A Ø2.2mm STEEL NAIL MINIMUM.

PRODUCT NO: SIG Bi-fold Door (100mm)

DATE: 29/07/14

DRAWING NO: SIG-BD-02-13

ISSUE: A

DRAWN: DJH

SCALE: 1:2

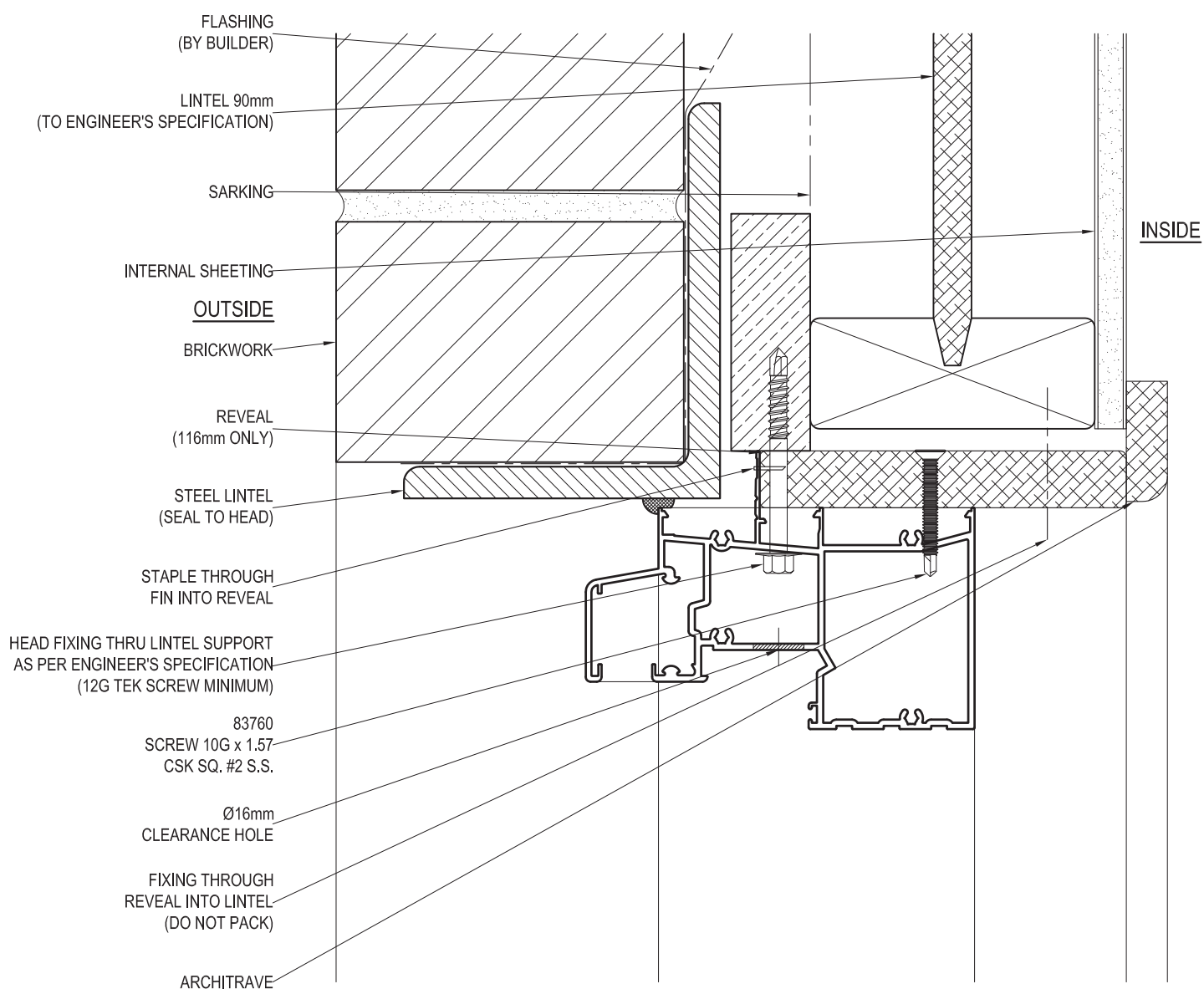
Suncoast Windows & Doors Pty Ltd ABN 78010409819 © 2014 All rights reserved



SUNCOAST
WINDOWS

Quality . Style . Innovation

BRICK VENEER - HEAD DETAIL - TOP HUNG



FIXINGS: UP TO AND INCLUDING SITE CLASSIFICATION OF N6, C4 (3.0 kPa) FIXINGS ARE TO BE AT 450mm CENTRE MAXIMUM. FOR SITUATIONS IN EXCESS OF THIS THE FIXINGS ARE TO BE AT 300mm CENTRES MAXIMUM. FIXING SIZE TO BE EQUIVALENT TO A Ø2.2mm STEEL NAIL MINIMUM.

PRODUCT NO: SIG Bi-fold Door (100mm)

DATE: 29/07/14

DRAWING NO: SIG-BD-02-14

ISSUE: A

DRAWN: DJH

SCALE: 1 : 2

Suncoast Windows & Doors Pty Ltd ABN 78010409819 © 2014 All rights reserved