

# Essential Mirror Signature Mirror

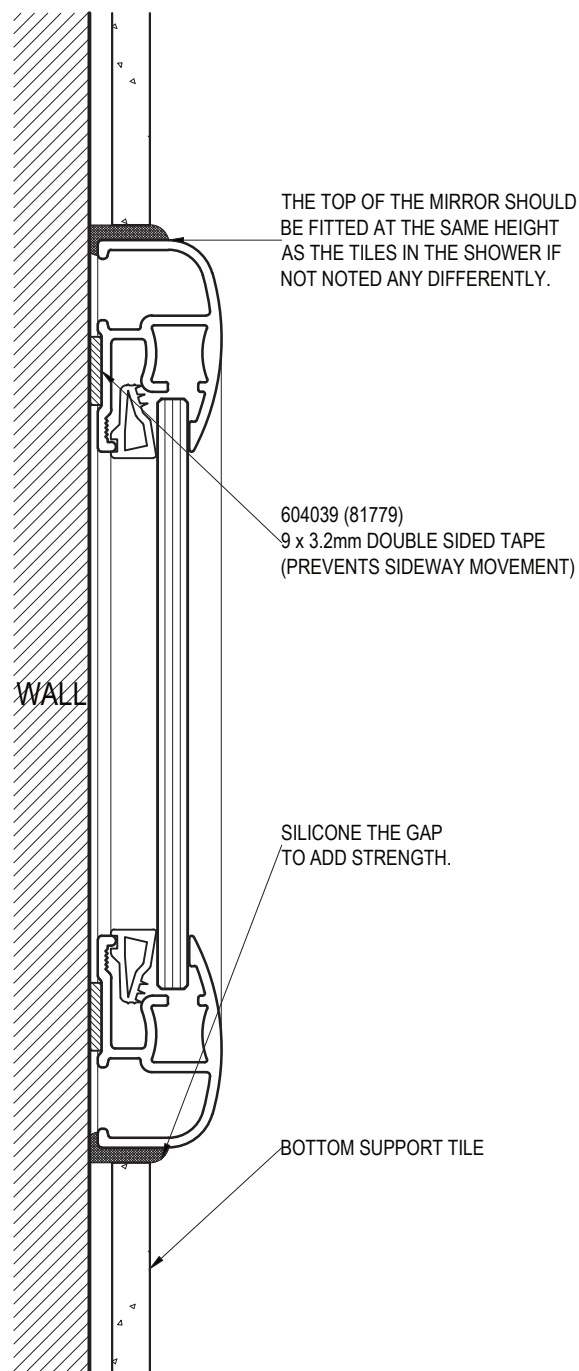
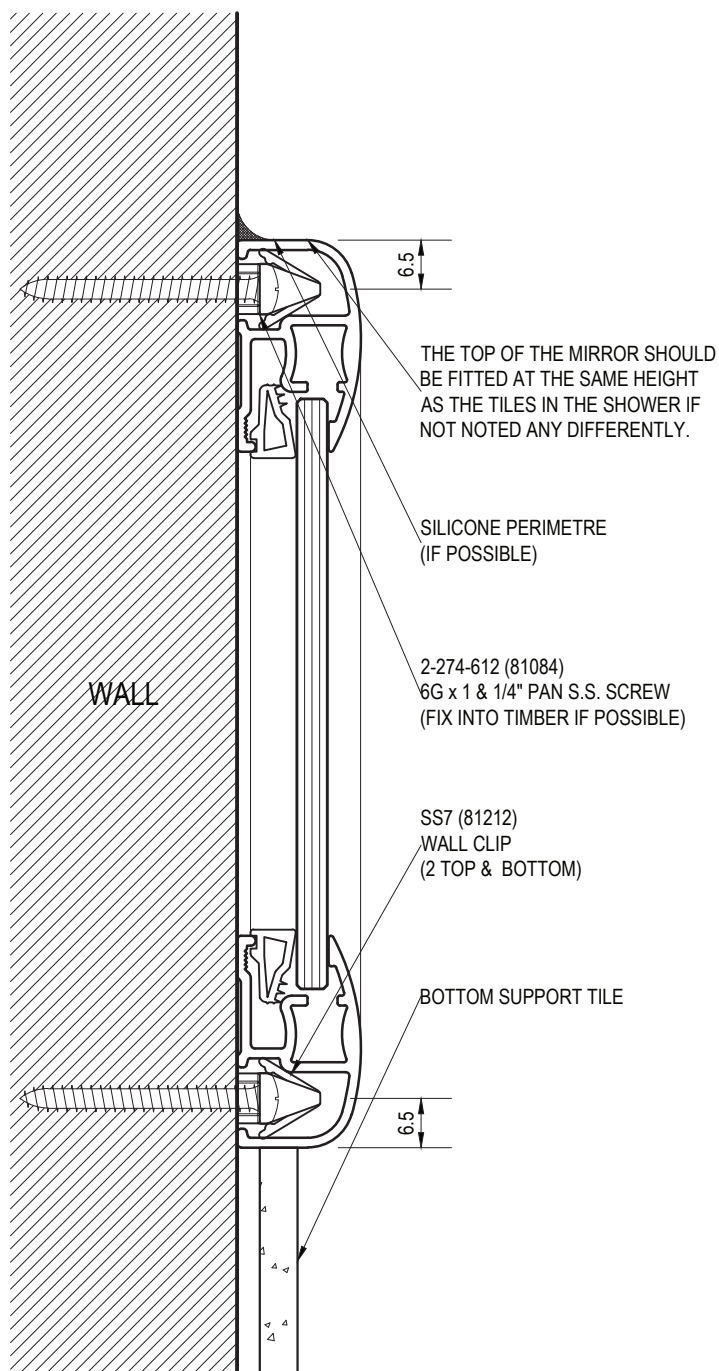
## Installation Details

## CONCEALED FIX FRAME - TILE SUPPORTS

FIX SCREWS AND WALL CLIPS INTO THE PLASTERBOARD AND PREFERABLY INTO A TIMBER STUD. THEN CLIP THE FRAME ONTO CLIPS. SECURE SCREWS AND CLIPS AT MINIMUM 450mm CENTRES WITH A MINIMUM OF 4 CLIPS PER MIRROR (2 TOP & 2 BOTTOM). THEN SILICONE SEAL PERMETRE IF POSSIBLE.

### SCREW FIXING

### TAPE FIXING



PRODUCT NO: ESS Mirror DATE: 22/04/13

DRAWING NO: MIRR-05-01 ISSUE: B

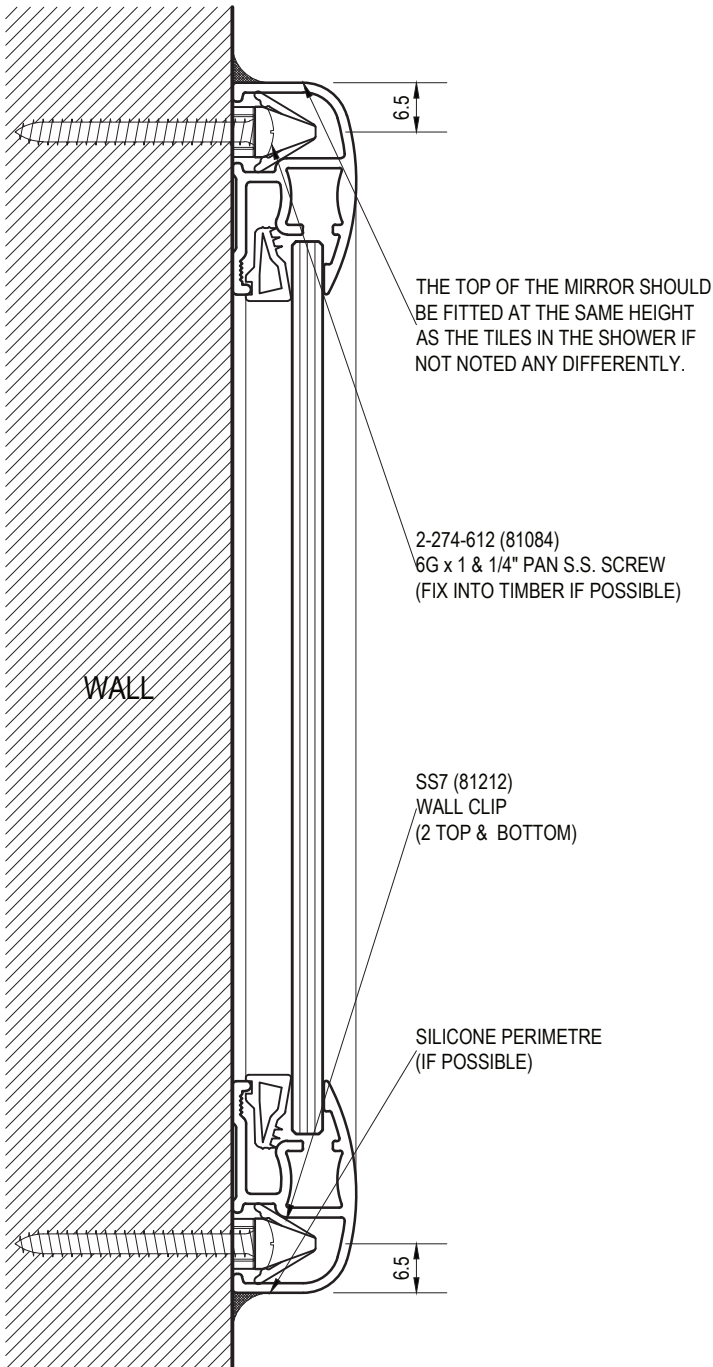
DRAWN: DJH SCALE: 1:1

Suncoast Windows and Doors Pty Ltd ABN 78 010 409 819 © 2013 All rights reserved.

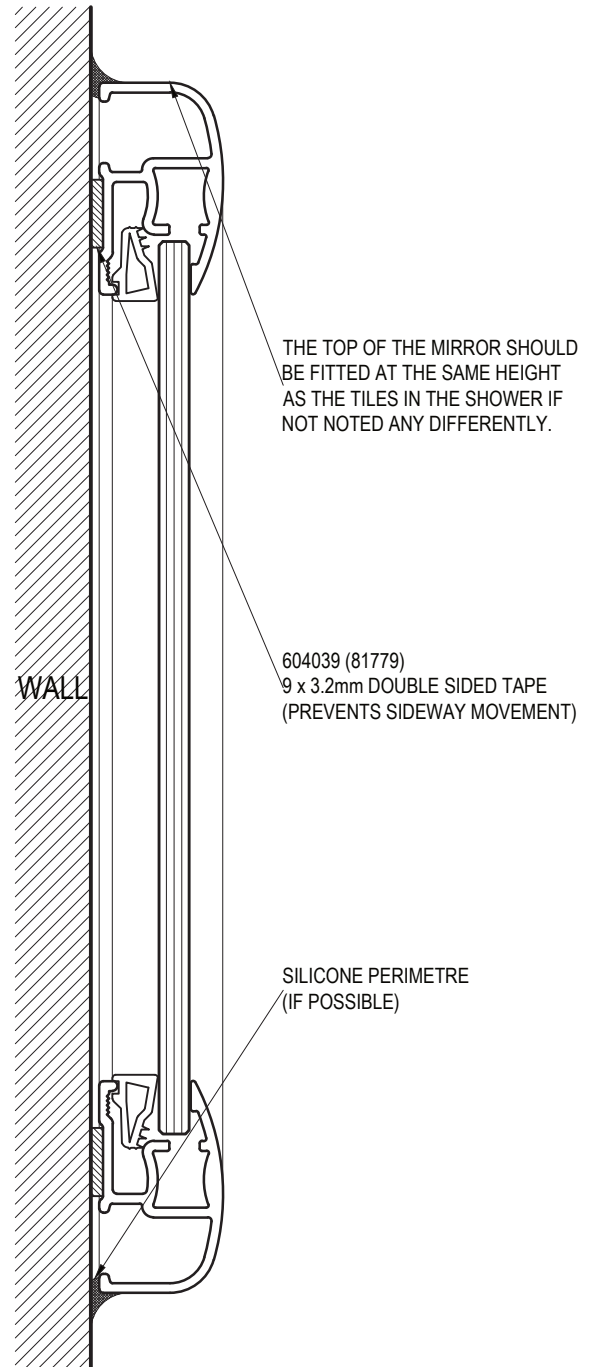
## CONCEALED FIX FRAME - NO TILE SUPPORTS

FIX SCREWS AND WALL CLIPS INTO THE PLASTERBOARD AND PREFERABLY INTO A TIMBER STUD. THEN CLIP THE FRAME ONTO CLIPS. SECURE SCREWS AND CLIPS AT MINIMUM 450mm CENTRES WITH A MINIMUM OF 4 CLIPS PER MIRROR (2 TOP & 2 BOTTOM). THEN SILICONE SEAL PERMETRE IF POSSIBLE.

### SCREW FIXING



### TAPE FIXING



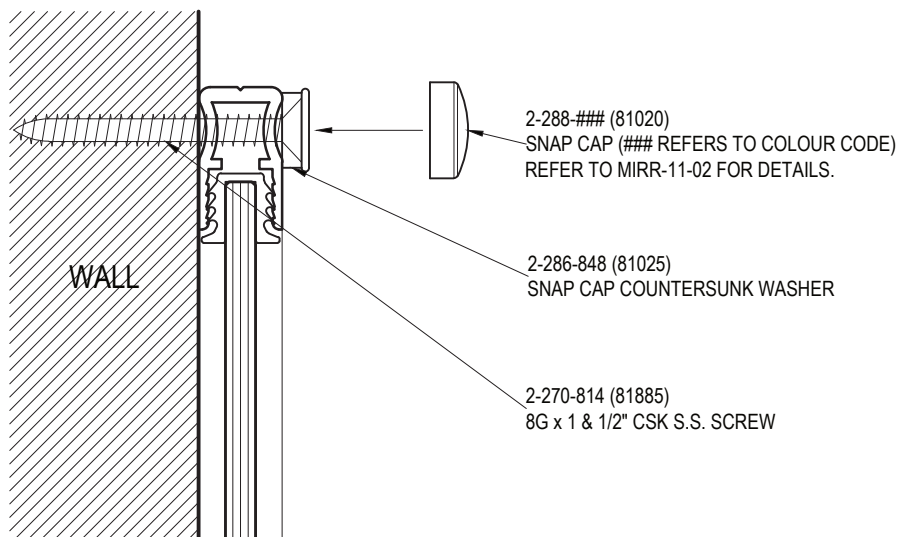
PRODUCT NO: ESS Mirror DATE: 22/04/13

DRAWING NO: MIRR-05-02 ISSUE: B

DRAWN: DJH SCALE: 1:1

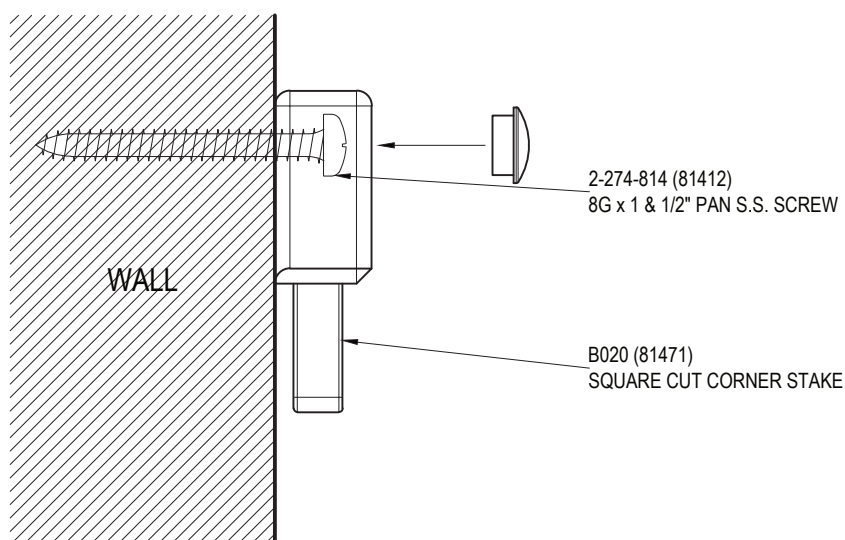
Suncoast Windows and Doors Pty Ltd ABN 78 010 409 819 © 2013 All rights reserved.

## MITRE CUT FRAME



FIX SCREWS INTO PLASTER BOARD, USE SNAP CAPS TO HIDE FIXINGS.  
SECURE SCREWS AT 800mm CENTRES MAXIMUM ALONG ENTIRE FRAME.

## SQUARE CUT FRAME



FIX SCREWS INTO PLASTER BOARD, USE WALL PLUGS INTO  
BRICK BEFORE SECURING SCREW. PLACE CAP ON CORNER.

PRODUCT NO: ESS Mirror DATE: 22/04/13

DRAWING NO: MIRR-05-03 ISSUE: B

DRAWN: DJH SCALE: 1:1

Suncoast Windows and Doors Pty Ltd ABN 78 010 409 819 © 2013 All rights reserved.